



**PRESSURE WASHER
ITEM NO. RY141900
MFG. NO. 090079269
REPLACEMENT PARTS LIST**

Techtronic Industries Power Equipment, Inc.

1428 Pearman Dairy Road, Anderson, SC 29625

Phone 1-800-860-4050

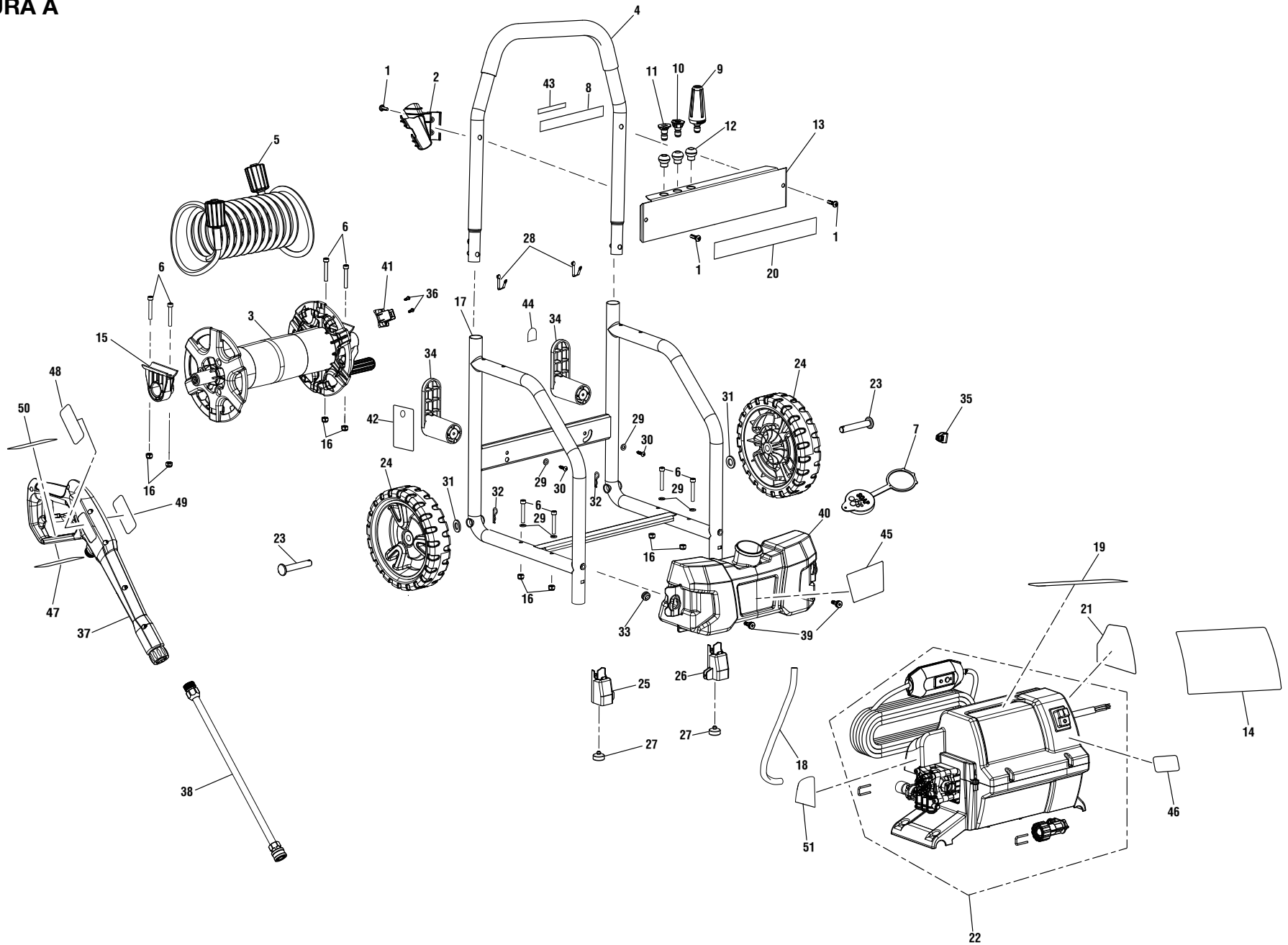
www.ryobitools.com

991000319

6-03-15 (Rev:01)

RYOBI ELECTRIC PRESSURE WASHER – ITEM NO. RY141900

FIGURE A /
FIGURA A



RYOBI ELECTRIC PRESSURE WASHER – ITEM NO. RY141900

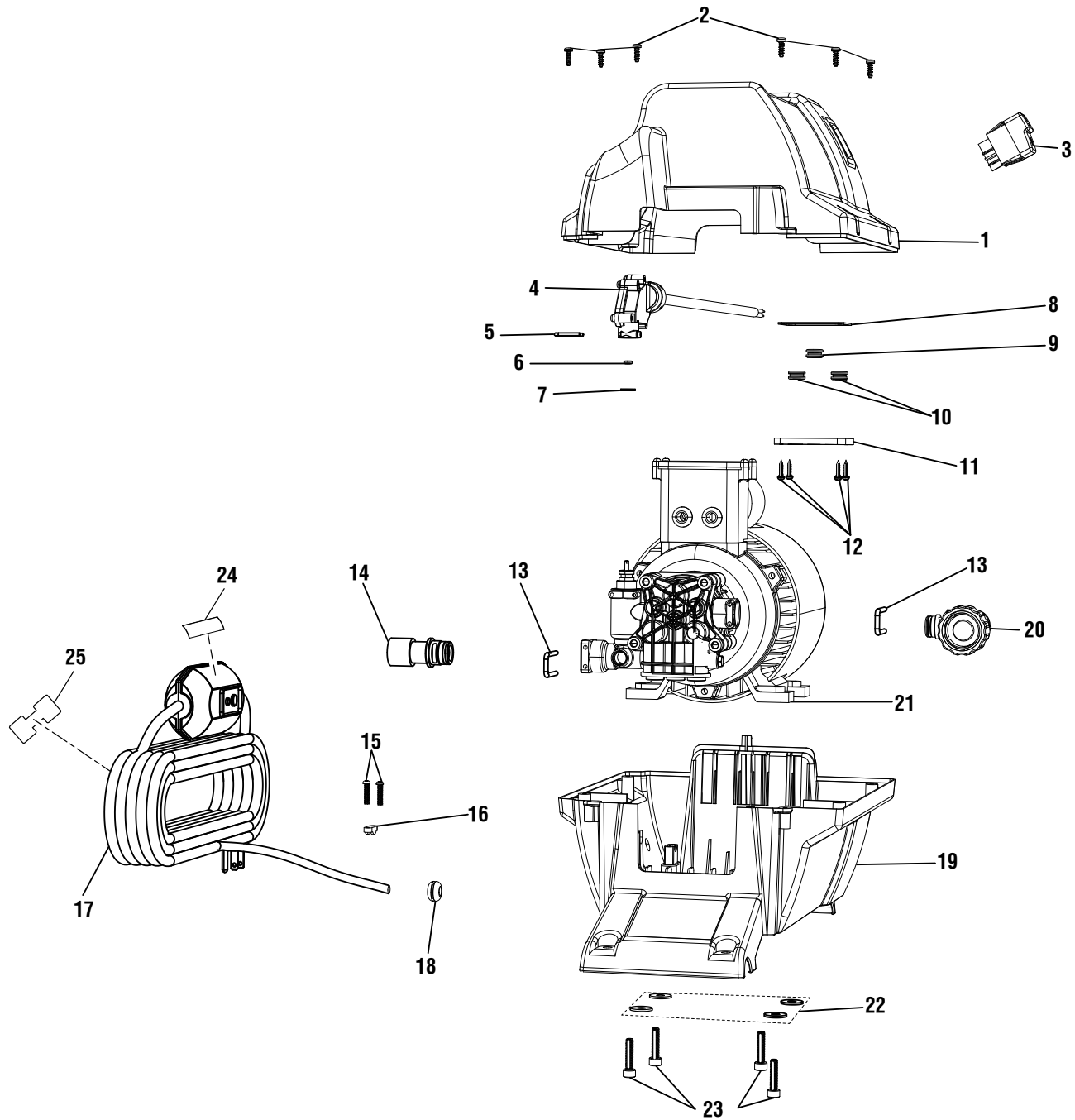
The model number will be found on a plate attached to pump housing. Always mention the model number in all correspondence regarding your **PRESSURE WASHER** or when ordering replacement parts.

FIGURE A PARTS LIST

KEY NO.	PART NUMBER	DESCRIPTION	QTY	KEY NO.	PART NUMBER	DESCRIPTION	QTY
1	660481019	Bolt (M6 x 20 mm)	3	29	678600010	Washer (M6).....	6
2	519313010	Trigger Handle Holder.....	1	30	661403019	Screw (M4.8 x 19 mm, Phillips Hd. S.T.).....	2
3	309008004	Hose Reel Assembly.....	1	31	678889003	Washer (ID12.5 x OD24 x 2t)	2
4	310224071	Handle Assembly (Inc. Key No. 28)	1	32	678238002	Hitch Pin	2
5	308835065	High Pressure Hose.....	1	33	561383028	Soap Tank Grommet.....	1
6	660481015	Screw (M6 x 40 mm).....	8	34	522037003	Cord Wrap Arm.....	2
7	310650007	Detergent Tank Cap.....	1	35	522051003	Cord Clamp	1
8	940617119	Quick Start Label	1	36	661403016	Screw (M4.2 x 15 mm, Phillips Hd. S.T.).....	2
9	308311014	Turbo Nozzle.....	1	37	308760053	Trigger Handle.....	1
10	308706013	Soap Nozzle.....	1	38	308494074	Spray Wand	1
11	308698023	15° Nozzle.....	1	39	660481022	Shoulder Bolt (M6 x 16 mm).....	2
12	561383021	Nozzle Grommet.....	3	40	580875016	Detergent Tank.....	1
13	678973008	Performance Panel	1	41	529062001	Hose Clip	1
14	940705265	Logo Label.....	1	42	940473023	Warning Hangtag.....	1
15	522941003	Hose Reel Bracket.....	1	43	941486008	Inquires Label	1
16	678460001	Lock Nut (M6)	8	44	941076001	Cord Unlock Label.....	1
17	308582061	Main Frame.....	1	45	941608007	Detergent Tank Label.....	1
18	561399014	Injection Hose.....	1	46	940734079	On/Off Switch Label	1
19	940786041	Nozzle Select Label	1	47	940904003	Trigger Handle Rating Label	1
20	940779142	Performance Label	1	48	940786027	Trigger Handle Logo Label.....	1
21	940707039	Danger Label	1	49	940324030	Trigger Handle Warning Label (English).....	1
22	See Figure B	Pump Housing Assembly	1	50	940324024	Trigger Handle Warning Label (French/Spanish)	1
23	620599018	Wheel Axle.....	2	51	941002168	Pump Label.....	1
24	308451054	Wheel.....	2				
25	523406004	Foot (Left).....	1				
26	523406005	Foot (Right)	1				
27	570554017	Foot Pad	2				
28	308421002	Spring Clip w/Button	2				
					Not Shown:		
					991000317	Operator's Manual	
					991000318	Quick Reference Guide	

RYOBI ELECTRIC PRESSURE WASHER – ITEM NO. RY141900

FIGURE B /
FIGURA B



RYOBI ELECTRIC PRESSURE WASHER – ITEM NO. RY141900

The model number will be found on a label attached to pump housing. Always mention the model number in all correspondence regarding your **PRESSURE WASHER** or when ordering replacement parts.

FIGURE B PARTS LIST

KEY NO.	PART NUMBER	DESCRIPTION	QTY
1	522032010	Top Motor Housing	1
2	661403016	Screw (M4 x 15 mm)	6
3	760504007	Switch	1
4	310870002	Pressure Switch	1
5	678799014	U Clip	1
6	570742071	O-Ring.....	1
7	638397003	Brass Washer (OD11.2 x ID3.4 x 1t)	1
8	570740016	Switch Cover Gasket	1
9	561383024	Grommet.....	1
10	561383012	Grommet.....	2
11	570417002	Switch Cover.....	1
12	661403015	Screw (M3 x 14 mm)	4
13	678799013	U Clip	2
14	308862005	Outlet Pump Assembly	1
15	661610008	Screw (M3.5 x 20 mm)	2
16	522051003	Cord Clamp.....	1
17	290426012	Power Cord	1
18	561383025	Grommet.....	1
19	522038010	Lower Motor Housing	1
20	308861007	90 degree Inlet Assembly.....	1
21	308861016	Pump Assembly	1
22	638128016	Washer (OD18 x ID6.3 x 1t).....	4
23	661554004	Bolt (M8 x 20 mm, Hex Hd.).....	4
24	940603006	Cord Plug Label.....	1
25	940324032	Cord Wrap Label	1

RYOBI ELECTRIC PRESSURE WASHER – ITEM NO. RY141900

